

Driver Installation

1. **Download the LabView driver file from the Gantner Instruments website:**

https://gi-productbase.gantner-instruments.com/en/rest_api/downloads/public/217/

2. **Unzip the LabView folder, copy and paste the entire Gantner Instruments folder into the following location:**

C:\Program Files\National Instruments\LabVIEW 201X*\instr.lib

**Depends on version of LabVIEW installed*

3. **Inside the Gantner Instruments folder, you will find the eGateHighSpeedPort.dll. Copy and paste this file to the following location:**

C:\Windows\System32

4. **Start the LabView program. Create a blank VI.**

5. **The Gantner VIs can be found under:**

Instrument I/O > Instrument Drivers > Gantner Instruments > Ethernet > Direct Ethernet Communications

6. **Inside the Gantner Instruments folder, the Driver Manual can be found. This manual describes the different VIs and examples of how to use them.**

Quick Start Guide

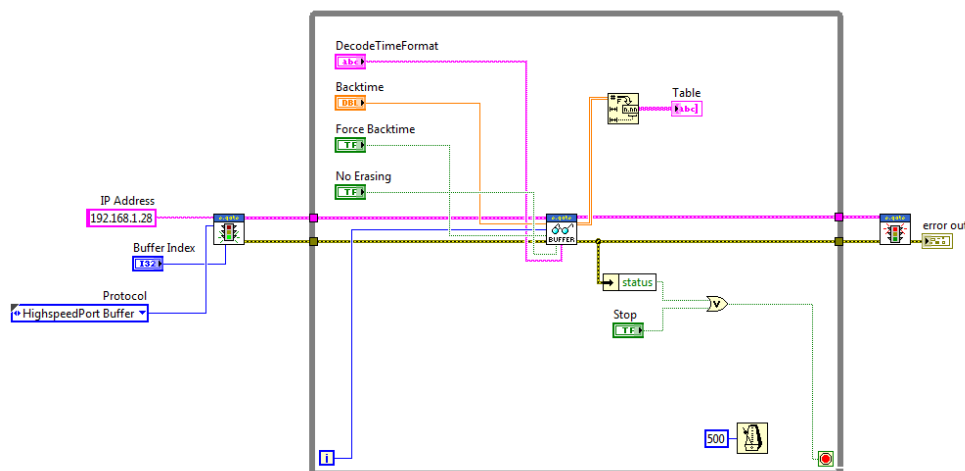
LabVIEW Driver Installation & Data Interfacing Guide

Data Interfacing

LabView is a DAQ software used for test automation. Gantner Instruments DAQ hardware is a high quality and accurate DAQ system. This section will describe how to interface between them using the Gantner Instruments dll.

Procedure:

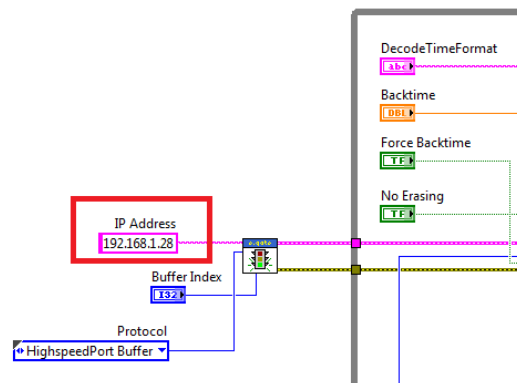
1. Install test.commander onto the PC
 Download the software form the Downloads sections on our website.
<https://www.gantner-instruments.com/resources/downloads-and-support-tools/>
 2. Configure the hardware using test.commander:
https://gi-productbase.gantner-instruments.com/en/rest_api/downloads/public/243/
 3. Configure the individual channels using ICP 100:
https://gi-productbase.gantner-instruments.com/en/rest_api/downloads/public/244/
 4. Download the LabView drivers:
https://gi-productbase.gantner-instruments.com/en/rest_api/downloads/public/217/
 5. Install the LabView drivers. Installation guide:
https://gi-productbase.gantner-instruments.com/en/rest_api/downloads/public/274/
- Download the example program:
https://gi-productbase.gantner-instruments.com/en/rest_api/downloads/public/220/
6. Open the sample program in LabView:



Quick Start Guide

LabVIEW Driver Installation & Data Interfacing Guide

- Change the IP address to that of the connected controller:



- Configuration information of the channels can be obtained from the following:

